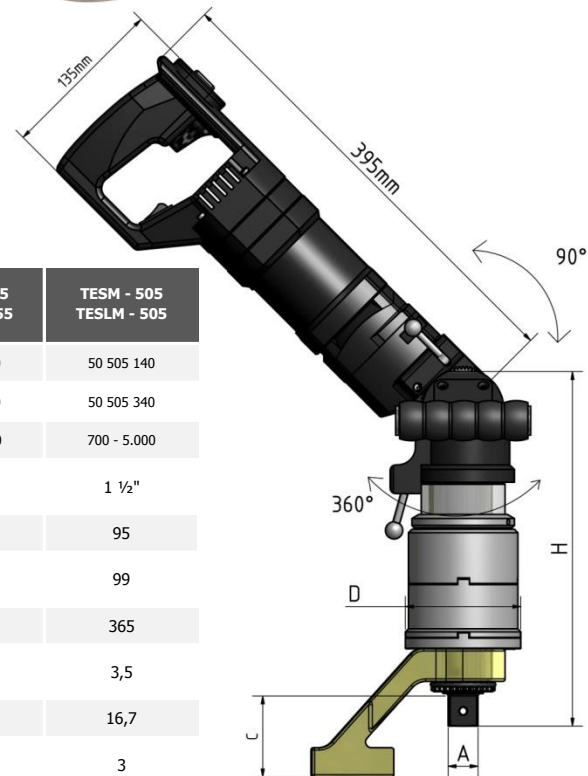


Technical data | TESM series

with its gradual latching of the operating unit, the TESM torque wrench is an indispensable aid for changing systematic strain. The tried and tested modular gear technology, combined with ergonomic and operationally friendly features, turn this wrench into a true all-rounder.

- Available from 200 to 15,000 Nm
- Freely rotatable gearbox
- Fast and precise
- 2-speed gear box right/left
- 200 torque settings
- Stored module construction for continuous use
- Are fitted with a torque cutoff system, giving an accuracy of +/- 3.5% under unchanging conditions
- Are fast, precise and safe and make little noise
- Are available in 230 volt and 110 volt versions
- Newly designed drive motor characterized by its robust and easy-to-maintain design as well as its high power reserves.
- Has clockwise and counterclockwise rotation as well as a 2-speed gearbox and can be adjusted to 200 different torque ranges
- Free positioning of the control unit; the drive motor can rotate freely around 360° - this allows the device to be comfortably positioned on the screw connection
- Can be optionally equipped with a load activation. This allows the twist occurring between the slip nut and support to be independently released. During this process, the drive motor turns in the reverse direction for a short time. This option is essential for short installation times and offers an ultimate degree of safety.



TYP / TYPE			TESM - 85	TESM - 105	TESM - 245	TESM - 355	TESM - 505
Modulare Getriebeeinheit modular gearbox			TESLM - 85	TESLM - 105	TESLM - 245	TESLM - 355	TESLM - 505
Art.-Nr. TES -			50 085 100	50 105 110	50 245 120	50 355 130	50 505 140
Art.-Nr. TESL -			50 085 300	50 105 310	50 245 320	50 355 330	50 505 340
Leistung / Torque (Nm)		Nm	150 - 850	280 - 1.200	360 - 2.500	360 - 3.500	700 - 5.000
Antriebsvierkant / Square drive	A	Zoll inch	¾" / 1"	1"	1"	1 ½"	1 ½"
Höhe (mm) / Height	C	mm	55-75	75	75	95	95
Getriebe Ø (mm) / Gear diam.	D	mm	99	99	99	99	99
Höhe (mm) / Height	H	mm	265 / 275	275	305	315	365
Reaktionsarm / torque support (kg)		kg	1,6	1,6	1,6	3,5	3,5
Gewicht (kg)* / Weight		kg	9,8 / 10	10	13,6	14,5	16,7
Leerlaufdrehzahl (UpM)** / Idle speed (rpm)**		U/m r/m	16	14	10	9	3

* ohne Reaktionsarm / without torque support

** 2. Gang / 2. speed gear

*** Bei max. Belastung nicht für Dauereinsatz geeignet / at max. load not appropriate for continuous operation

Technische Änderungen vorbehalten / Subject to technical changes