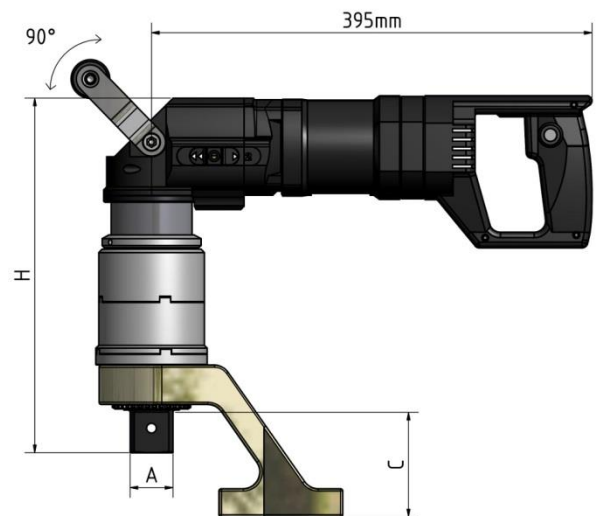


## Technical data | TEWS - series

By combining the most advanced precision manufacturing as well as using premium materials, we have created an extremely durable and easy-to-maintain gearbox. The modular gearbox design enables the individual planetary stages to be supported individually. This also strongly reduces the operation-related wear and significantly increases the service life of the gearbox

- Available from 200 to 12,000 Nm
- Freely rotatable gearbox
- Fast and precise
- 2-speed gear box right/left
- 200 torque settings
- Stored module construction for continuous use
- Are fitted with a torque cutoff system, giving an accuracy of +/- 3.5% under unchanging conditions
- Are fast, precise and safe and make little noise
- Are available in 230 volt and 110 volt versions
- Newly designed drive motor characterized by its robust and easy-to-maintain design as well as its high power reserves.
- Has clockwise and counterclockwise rotation as well as a 2-speed gearbox and can be adjusted to 200 different torque ranges
- Free positioning of the control unit; the drive motor can rotate freely around 360° - this allows the device to be comfortably positioned on the screw connection
- Can be optionally equipped with a load activation. This allows the twist occurring between the slip nut and support to be independently released. During this process, the drive motor turns in the reverse direction for a short time. This option is essential for short installation times and offers an ultimate degree of safety.



TYP / TYPE Modulare Getriebeeinheit modular gearbox			TEWS - 245 TEWSL - 245	TEWS - 355 TEWSL - 355	TEWS - 505 TEWSL - 505	TEWS - 605 TEWSL - 605	TEWS - 905 TEWSL - 905	TEWS - 1205 TEWSL - 1205
Art.-No. TEWS -			51 245 220	51 355 230	51 505 240	51 605 250	51 905 260	51 915 270
Art.-No. TEWSL -			51 245 420	51 355 430	51 505 440	51 605 450	51 905 460	51 915 470
Leistung / Torque (Nm)		Nm	360 - 2.500	360 - 3.500	700 - 5.000	816 - 6.000	1.024 - 10.000	1.400 - 12.000
Antriebsvierkant / Square drive	A	Zoll inch	1"	1 1/2"	1 1/2"	1 1/2"	1 1/2"	1 1/2"
Höhe (mm) / Height	C	mm	75	95	95	110	110	115
Getriebe Ø / Gear diam.	D	mm	99	99	99	135	135	172
Höhe / Height	H	mm	305	315	365	350	390	400
Reaktionsarm /torque support (kg)		kg	1,6	3,5	3,5	5,7	5,7	5,7
Gewicht / Weight (kg)*		kg	12,5	13,3	15,5	18,8	22,4	31
Leerlaufdrehzahl Idle speed (rpm)**		U/m r/m	10	9	3	6,5	2,5	2

\* ohne Reaktionsarm / without torque support

\*\* 2. Gang / 2. speed gear

Technische Änderungen vorbehalten / Subject to technical changes