



# WINDMASTER™ M36 X 4 MULTI-DECK TENSIONER

NEW TECHNOLOGY



**SUPERIOR** BOLTING SOLUTIONS®



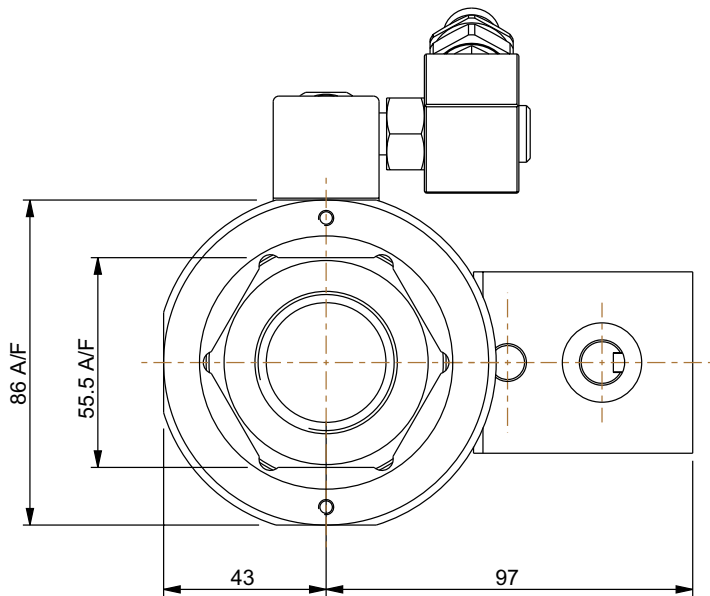
SUPERIOR BOLTING SOLUTIONS®

# WINDMASTER™ M36 X 4 MULTI-DECK TENSIONER

SPECIFICATION				
MAX WORKING PRESSURE	150	MPa	21750	psi
MAX LOAD	725	kN	163	klbf
MAX STROKE	10	mm	0.394	in
APPROX. TOOL WEIGHT	9.0	kg	19.8	lb

**TOOL FEATURES:**

- CARRYING HANDLE
- FAST SPRING RETURN
- 10,000 CYCLE FATIGUE LIFE
- LONG LIFE SEAL PERFORMANCE
- OPTIONAL NIPPLE/COUPLING CONFIGURATIONS
- LOW MAINTENANCE GEAR DRIVE



VIEW SHOWING BRIDGE PROFILE

