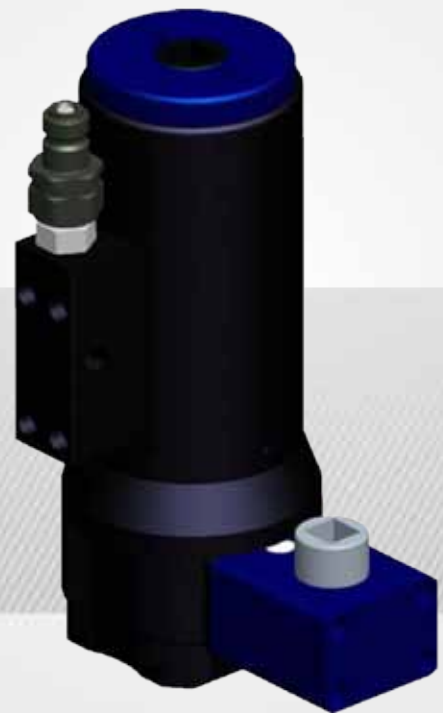




WINDMASTER™ M30 X 3.5 MULTI-DECK TENSIONER

NEW TECHNOLOGY



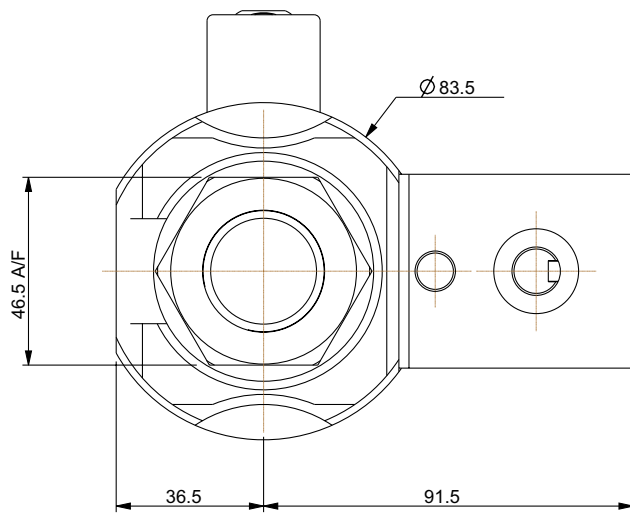
SUPERIOR BOLTING SOLUTIONS®

WINDMASTER™ M30 X 3.5 MULTI-DECK TENSIONER

TOOL FEATURES:

- FAST SPRING RETURN
- LONG LIFE SEAL PERFORMANCE
- OPTIONAL NIPPLE/COUPLING CONFIGURATIONS
- LOW MAINTANCE SPRING LOADED GEAR DRIVE

| SPECIFICATION | | | | |
|----------------------|-------|-----|-------|------|
| MAX WORKING PRESSURE | 1350 | bar | 19580 | psi |
| MAX LOAD | 462.0 | kN | 104 | klbf |
| MAX STROKE | 7 | mm | 0.276 | in |
| APPROX. TOOL WEIGHT | 5.7 | kg | 12.6 | lb |



VIEW SHOWING BRIDGE PROFILE

