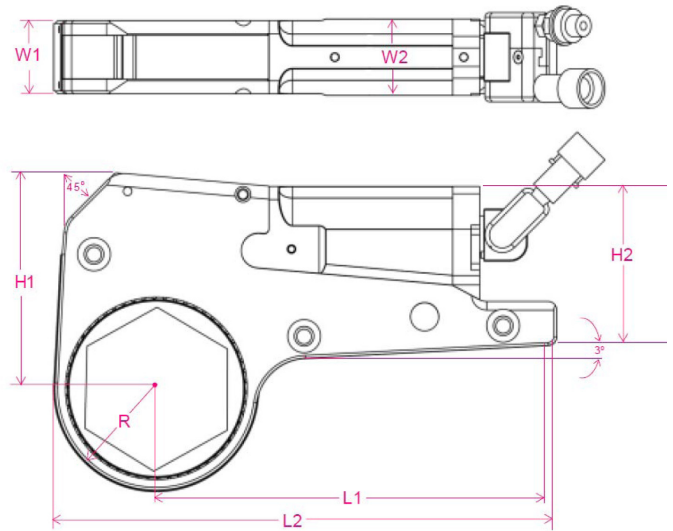




TITAN[®]
SUPERIOR BOLTING SOLUTIONS[®]

SUPERThin LP4

EXTREME LOW PROFILE
Hydraulic Torque Wrenches



SuperThin LP4 Automatic continuous ratcheting Direct Fit Hydraulic Torque Wrench Power Head:

Range of Hex Size:	7/8 to 3 1/8 In 22 to 80 mm	L1 – Maximum Reaction Reach:	8.41 In 213.69 mm
Torque Range:	390 to 3,900 Ft Lb 560 to 5,600 n m	L2 – Overall Length:	10.70 In 271.78 mm
Cylinder Weight :	5.8 Lb 2.63 Kg	H1 – Center of Bolt to Top of Tool:	4.77 In 121.29 mm
Range of Link Weight:	4.50 to 6.50 Lb 2.01 to 2.90 Kg	H2 – Back End Height:	3.78 In 96.14 mm
Torque Accuracy:	+ / - 3%	W1 – Tool Width at Link:	1.00 In 25.40 mm
Corrosion Resistance:	Material AQ 4340, Electroless Nickel Plated.	W2 – Tool Width at Cylinder:	1.75 In 44.45 mm
Portability:	High-Strength, low weight “Zero Deflection Body”.	R – Tool Radius around the Bolt:	1.25 to 2.25 In 33.32 to 58.47 mm
Hands Free:	One way ratchet with easy release mechanism.	Available in Fractional & Metric Sizes:	12 pt, square and 8 pt.
Quick Connects & Couplers:	Unit powers all LP 2 Links.	Accuracy:	Ratcheting assurance device to avoid unwanted pre-stall.
Safety:	Total enclosure of all moving parts. Patented “Energy Dispersment System” to allow for operator safety.	Clearance:	359 degree X 180 degree, low profile, easy to adjust “Tru-Swivel” hose swivel to avoid hose interference.
Low cost step-down sleeves are available in all sizes:	Easy one pin link engagement.	All Tools Calibrated and Certified:	2-piece oval piston assembly.

SUPERTHIN LP4 PRESSURE – TORQUE CONVERSION CHART
LOW PROFILE HYDRAULIC TORQUE WRENCH

PSI	FT - LBS	BAR	KGM	NM
1500	568	104	78	770
1600	606	110	84	822
1800	682	124	94	925
2000	758	138	105	1028
2200	833	152	115	1130
2400	909	166	125	1233
2600	985	179	136	1336
2800	1061	193	146	1439
3000	1136	207	157	1540
3200	1212	221	167	1643
3400	1288	235	178	1747
3600	1364	248	188	1850
3800	1439	262	199	1951
4000	1515	276	209	2054
4200	1591	290	220	2157
4400	1667	304	230	2260
4600	1742	317	240	2362
4800	1818	331	251	2465
5000	1894	345	261	2568
5200	1970	359	272	2671
5400	2045	373	282	2779
5600	2121	386	293	2876
5800	2197	400	303	2979
6000	2273	414	314	3082
6200	2348	428	324	3184
6400	2424	442	335	3287
6600	2500	455	345	3390
6800	2576	469	355	3493
7000	2652	483	366	3596
7200	2727	497	376	3698
7400	2803	511	387	3801
7600	2879	524	397	3904
7800	2955	538	408	4007
8000	3030	552	418	4109
8200	3106	566	429	4212
8400	3182	580	439	4315
8600	3258	593	450	4418
8800	3333	607	460	4520
9000	3409	621	470	4623
9200	3485	635	481	4726
9400	3561	649	491	4829
9600	3636	662	502	4930
9800	3712	676	512	5033
10000	3788	690	523	5137